



OilQuick®

Automatic quick coupler systems

FORKLIFT TRUCKS

Time to change!

OQT

The intelligent quick coupler system for forklift trucks

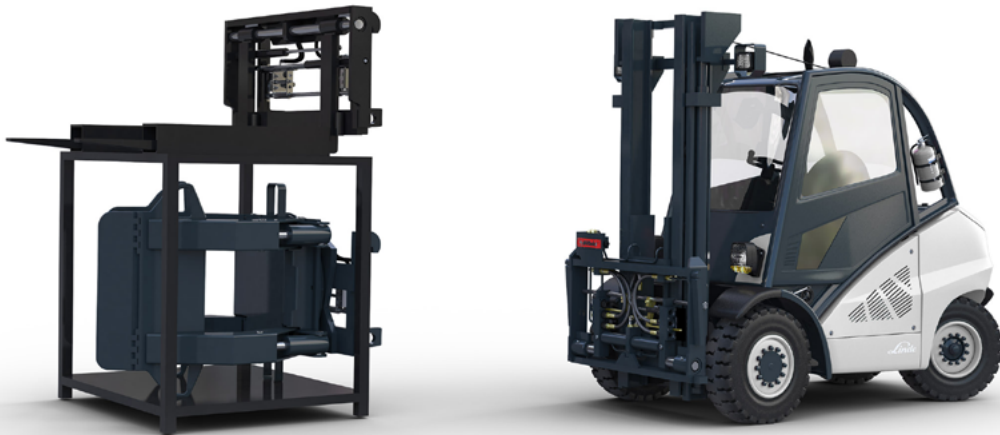


Change hydraulic attachments in seconds

OilQuick is an automatic quick coupler system for forklift trucks, which allows hydraulic work tools to be connected and disconnected from the drivers cab.

The operator can change between various work tools within a few seconds, such as pallet forks with hydraulic tine adjustment, bale clamps, rotating bale clamps etc. You will therefore always have the right attachment for the job.

OilQuick launched the world's first quick coupler system on the market in 1993, which is still regarded as the most advanced today. The system can be supplied in various models for machines from 1 to 9 tons. The OilQuick system will not only make your forklift truck but also your company more flexible, competitive and cost effective.



Basic data

Type	OQT 300i	OQT 850i-55	OQT 850i-90
ISO	2A-3A	3A-4A	3A-4A
Coupler weight (kg)	100-110	110-130	130-150
Max. number of quick couplings	6	6	6
1/2" (70 l/min)	6	6	6
Electrical coupling (optional)	Yes	Yes	Yes
Weight of machine	1-3 t	3-5,5 t	5,5-9 t

Coupler function

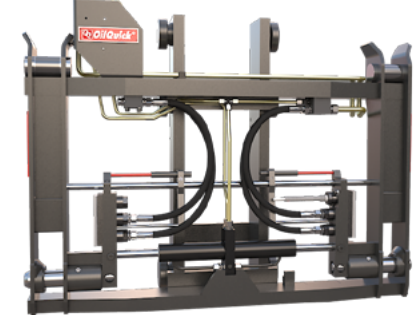
With OilQuick you can change hydraulic attachments directly from the drivers cab in just 10 seconds.



Coupler unit

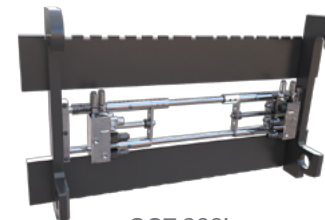


OQT 300i



OQT 850

Attachment adapter



OQT 300i



OQT 850

Benefits with OilQuick

Fast and efficient

The OilQuick quick coupler system OQT enables the operator to change over quickly between various mechanical and hydraulic attachments from inside the cab. As a result, he has the right tool for the job in every situation, can work faster and more efficiently.

Safe quick coupler system

OilQuick quick coupler systems are regarded as the safest on the market. Safety features include a hose break valve, a system for constantly readjusting the locking plungers hydraulically, a lock switch with double function, a warning light and alarm.

Improved working conditions

As work tools are changed and coupled

automatically, the operator does not have to get down from the cab. No more handling of couplings covered in oil or leaving the cab with unnecessary exposure to risks.

More cost effective

Fast tool change and efficient use of the forklift truck help to increase productivity. Experience has shown that investing in an OilQuick quick coupler pays off when you have to change hydraulic work tools one or two times a working day. OQT reduces the number of forklifts you need, which cuts costs considerably.

Eco-friendly

All OilQuick quick couplers are fitted with leak-free oil quick couplings, which are eco-friendly.

